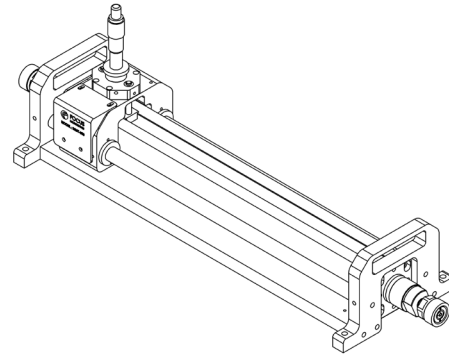


MMT606

Manual Microwave Tuner (0.6-6 GHz)



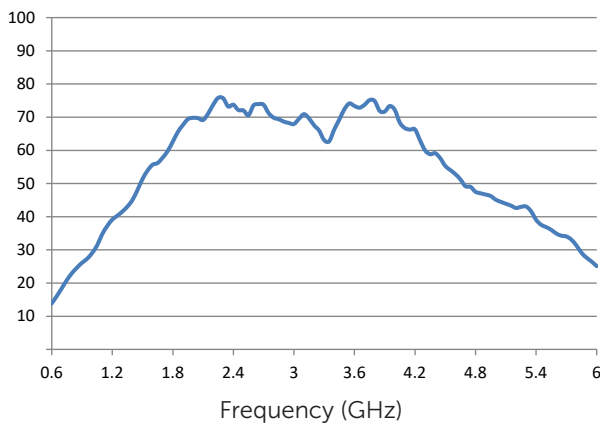
General

The Focus manual wideband and harmonic microwave tuners use the same RF technology and precision as automatic tuners, but at a considerably lower cost.

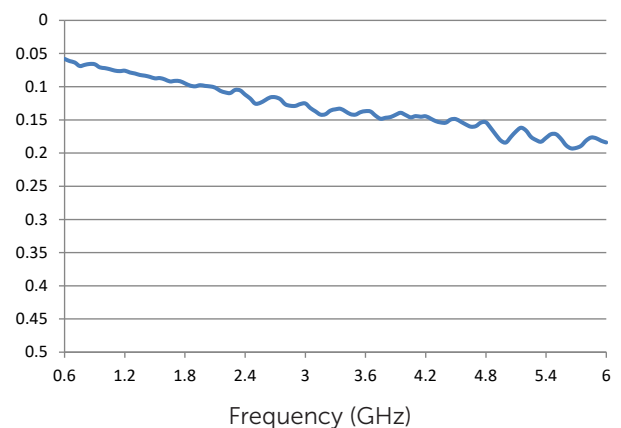
MMT's are available in octave and multi-octave bands between 0.4 and 18 GHz; MMT's are highly reliable and provide high VSWR at DUT reference plane. MMT's are available with harmonic tuning as well (option -H2 and -H23) using a similar concept as Focus' harmonic rejection tuners (PHT). Now available with digital display option.

Model	Freq. Range (GHz)	Connector Type	VSWR (min/typical)	Length (in)
MMT606	0.6 - 6.0	7/16, N, APC-7	10:1 / 20:1	19.382

VSWR



Insertion Loss (dB) (Probe withdrawn)



Dimensions

