

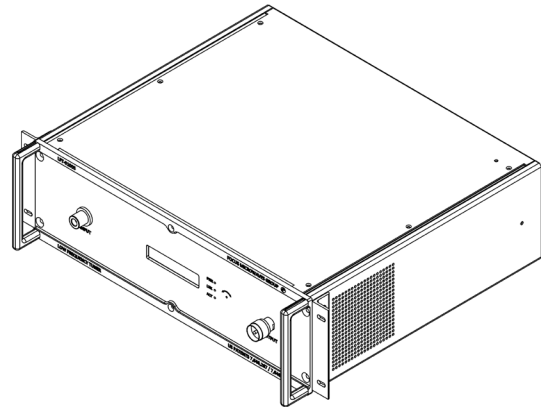
LFT01005

Low Frequency Tuner (50-100 MHz)

General

The LFT is a unique product technology using M algorithms for low frequency wideband tuning. Three or more cascaded tuning sections use series transmission cables and parallel rotary capacitors.

The length of the cables and number of tuning sections are optimized for maximum tuning range over a given bandwidth. HLFT tuners use 6 tuning sections allowing second harmonic frequency tuning.

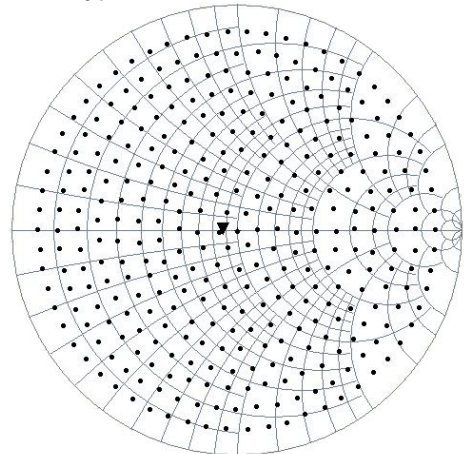


| Model | Freq. Range (MHz) | Connector Type | VSWR (min/typical) | Power Handling** (W, CW) | Repeatability (min, dB/ typical, dB) | Weight (lbs) | Length (in) |
|----------|-------------------|----------------|--------------------|--------------------------|--------------------------------------|--------------|-------------|
| LFT01005 | 50 - 100 | N | 10:1/15:1 | 1000 | -40/-50 | 20.0 | 19.165 |

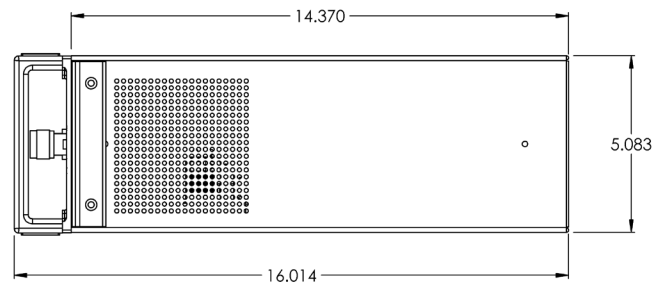
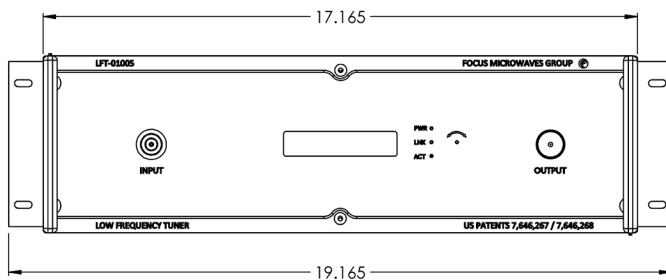


*measured at F0 = 60MHz

Typical Point Distribution*



Dimensions



**measured at 3:1 VSWR

